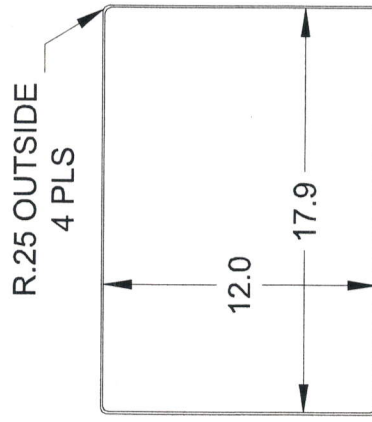
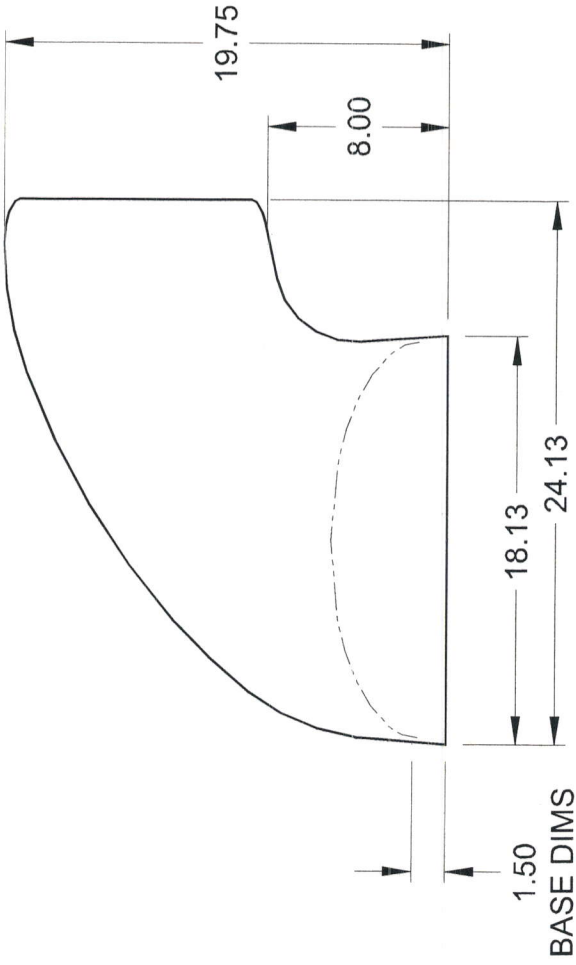
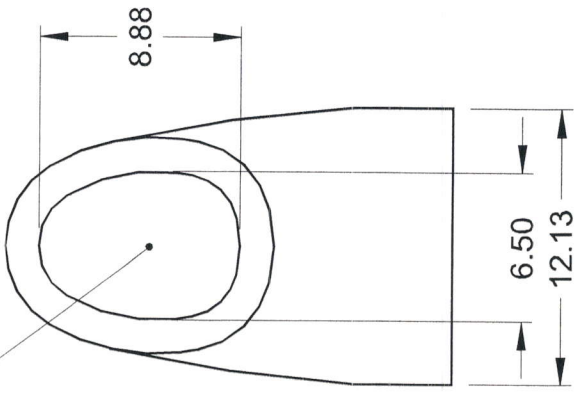


47 SQ IN INTAKE AREA



INSIDE DIMENSIONS OF BASE



**SPITZER**  
COMPOSITES

**AERO MAX** – basic installation dimensions  
 PN 27027 (fiberglass)  
 PN 27028 (carbon fiber)